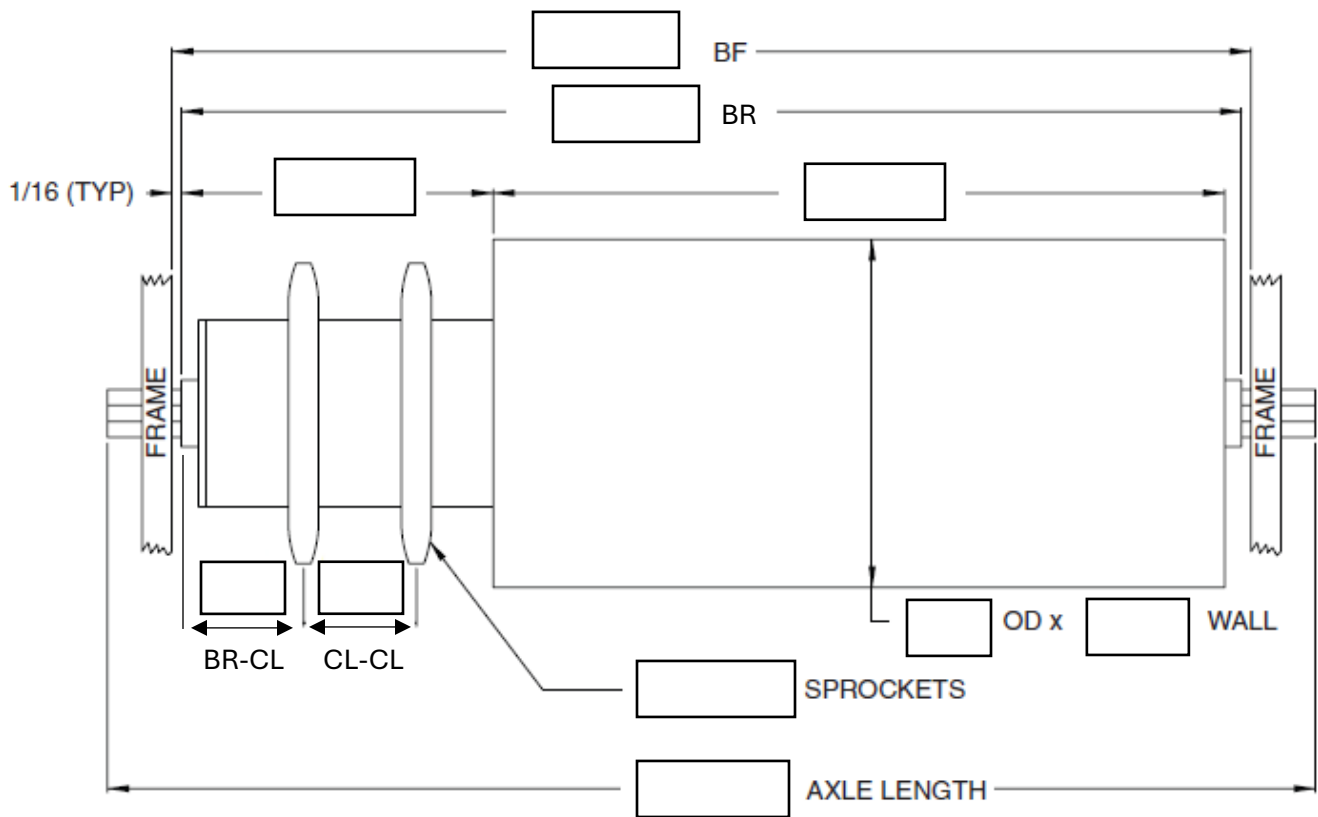




# SPROCKETED HUB ROLLER SPEC SHEET

Date: \_\_\_\_\_  
 Company: \_\_\_\_\_ Contact: \_\_\_\_\_  
 Contact Phone #: \_\_\_\_\_ Contact Email: \_\_\_\_\_

Quantity: \_\_\_\_\_ Axle Length: \_\_\_\_\_ (or Standard)  
 Between Frame Width (BF): \_\_\_\_\_ Axle Retention: \_\_\_\_\_  
 Overall Cone (BR) (if roller is not in frame): \_\_\_\_\_ Type of Bearing: \_\_\_\_\_  
 Large Tube Diameter: \_\_\_\_\_ Sprocket Size: \_\_\_\_\_  
 Wall Thickness (Gauge): \_\_\_\_\_ Load Capacity Required: \_\_\_\_\_  
 Axle Size: \_\_\_\_\_ (Hex or Round)



[WWW.MH.NET](http://WWW.MH.NET) | [SALES@WWW.MH.NET](mailto:SALES@WWW.MH.NET) | 888.650.WIRE (9473)

Chicago, IL | Charlotte, NC | Dallas, TX | Houston, TX | Orlando, FL | San Bernardino, CA | Seattle, WA | Williamsport, PA