

# WorldRail<sup>®</sup>

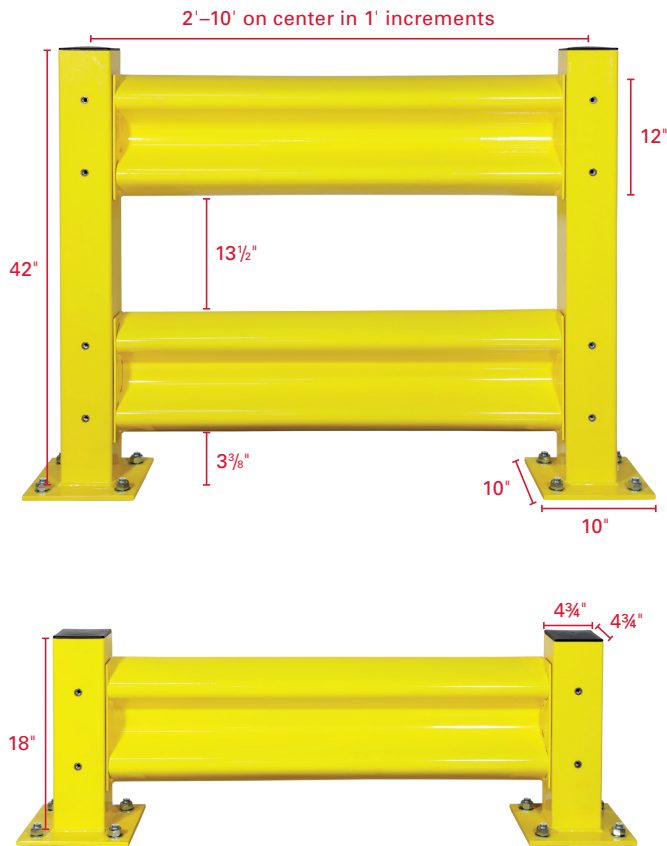
## INDUSTRIAL SAFETY GUARD RAIL

LEADING THE REVOLUTION IN WAREHOUSE SAFETY



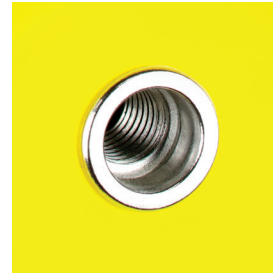
# WorldRail® Industrial Safety Guard Rail

Guard rails protect machinery, walkways, in-plant offices, personnel, inventory and equipment from damage or injury. The WorldRail is powder coated safety yellow to provide maximum visibility in every facility.



## FEATURES AND BENEFITS:

- › 4<sup>3</sup>/<sub>4</sub>" x 4<sup>3</sup>/<sub>4</sub>" x 3<sup>1</sup>/<sub>16</sub>"-thick post
- › Posts available in 42" or 18" heights
- › 4-way designed post, punched on all sides for maximum versatility
- › 10" x 10" x 1<sup>1</sup>/<sub>2</sub>"-thick footplate
- › (4) 7<sup>8</sup>/<sub>16</sub>" dia. anchor holes to accept 3<sup>4</sup>/<sub>16</sub>" dia. anchors (sold separately)
- › 12" high x 1<sup>1</sup>/<sub>8</sub>"-thick, double-ribbed rail design
- › Rail lengths from 2' thru 10' on post centers, in 1' increments
- › Impact rating –12,000 lbs. at 4 mph
- › High-impact post caps and snap-in button plugs included
- › Powder coated safety yellow for maximum visibility
- › Custom rail lengths available



- › Preinstalled stainless steel threaded inserts for fast installation
- › (4) 1/2" dia. Grade 5 bolts included per rail
- › Post caps and snap-in button plugs included



- › Optional lift-out rail cuffs for easy access to secure areas
- › Cuffs will extend post centers by 1 1/2" (ex. 48" rail will measure 49 1/2" overall)

## POST OPTIONS:



› Center Post



› Flush Post



› Corner Post

Specifications subject to change without notice.